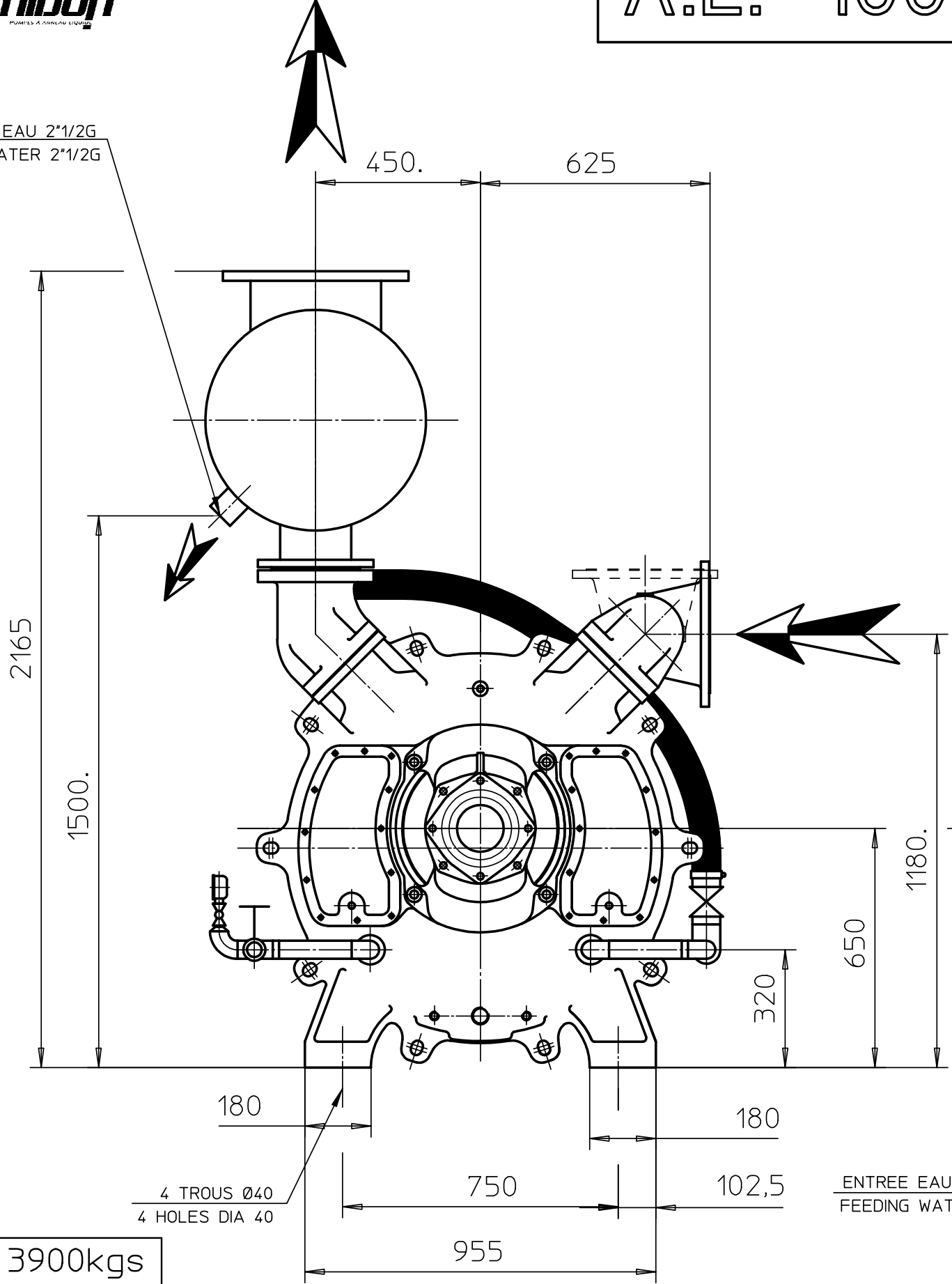


**A.L. 100**

SORTIE EAU 2"1/2G  
 OUTLET WATER 2"1/2G



4 TROUS Ø40  
 4 HOLES DIA 40

ENTREE EAU 1"1/2G  
 FEEDING WATER 1"1/2G

**POIDS: 3900kgs**  
**WEIGHT: 3900kgs**

REFOULEMENT DN350 PN10  
 DISCHARGE ND350 NP10

ASPIRATION DN250 PN10  
 SUCTION ND250 NP10

