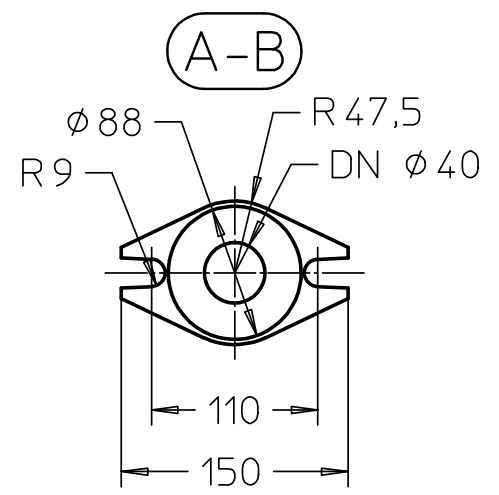
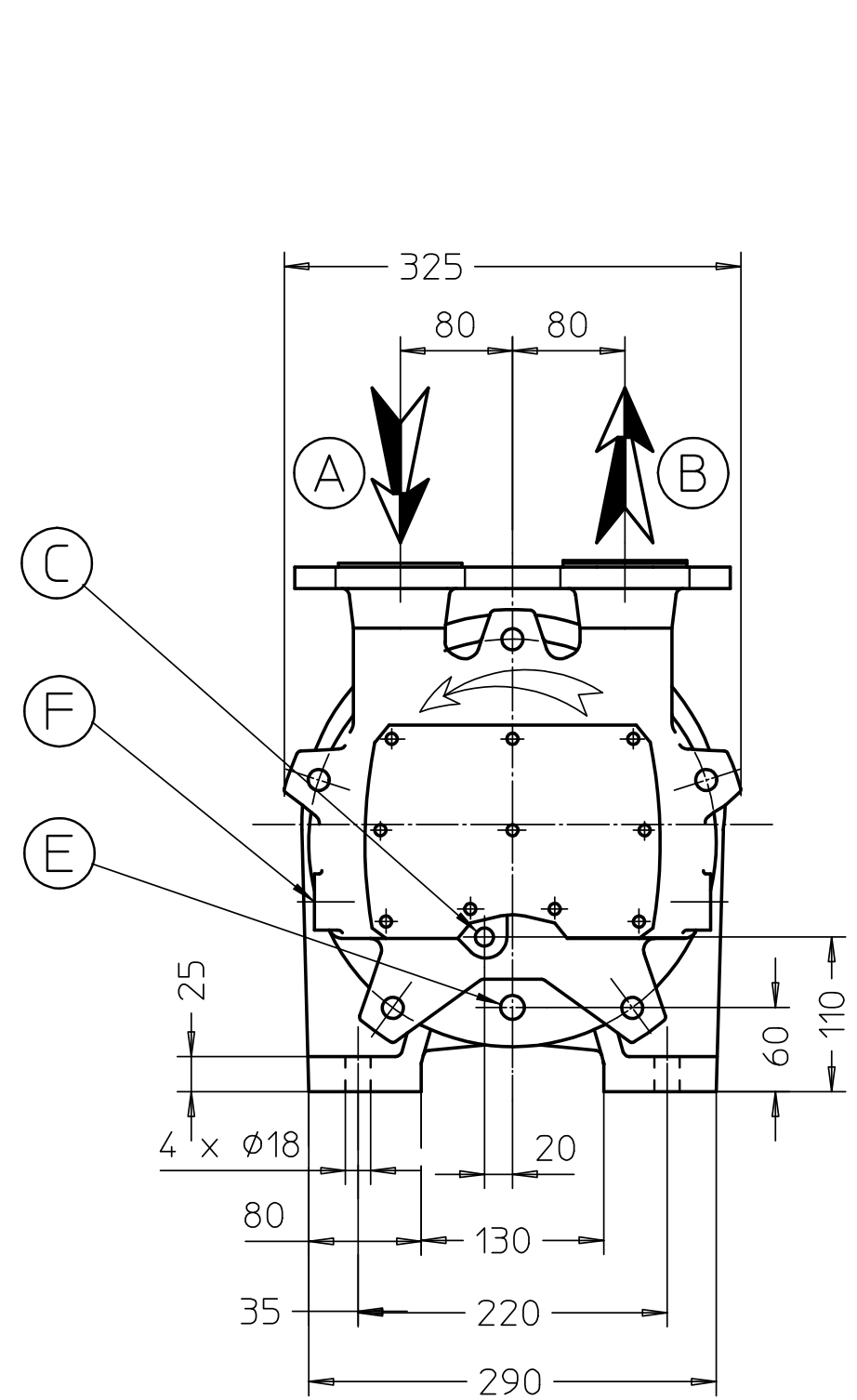
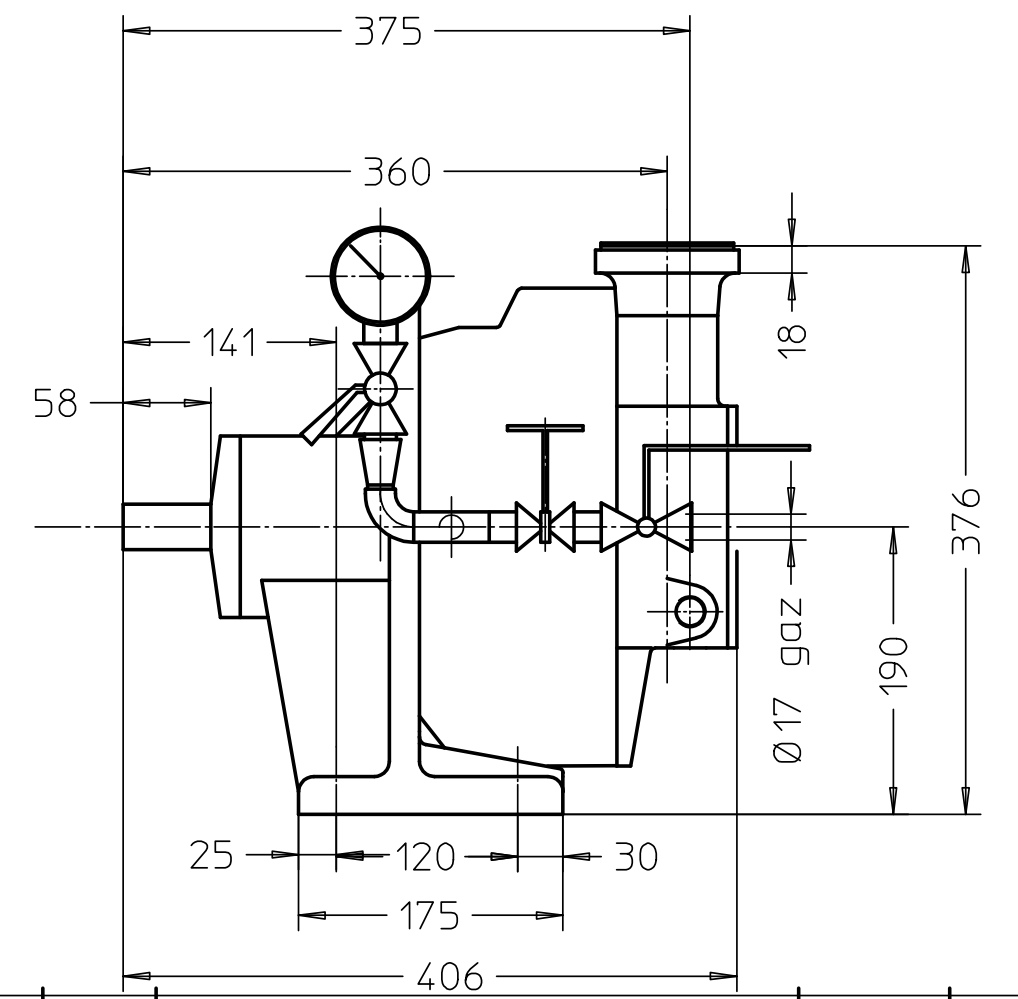
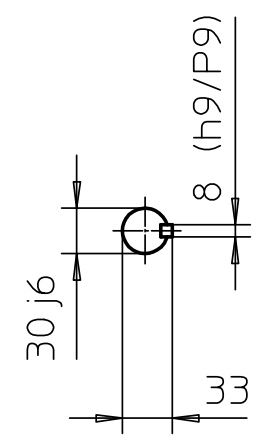


Poids/weight : 58 Kg



Bout d'arbre
Shaft end



F	Trop plein Overflowmp	1/2" GAZ
E	Purge de la pompe Drain pump	3/8" GAZ
C	Récupération partielle (Anneau liquide) Feed water recovery (Liquid ring)	3/8" GAZ
A	Aspiration gaz Suction gas	DN40 PN10 (OVALE)
	Désignation	Raccordement/Connecting

../..	C
../..	B
../..	A
28/08		BOUZIN.D	.	1ERE EMISSION - FIRST ISSUE	D.DHOLLANDE	.
SEM/WEEK	REV	ETABLI PAR/DRAWN BY	FDM	MODIFICATIONS	VER	APP

ertp
ENTRETIEN REPARATION
TOUTES POMPES

hibon
POMPES A ANNEAU LIQUIDE

Ech./Scale : 1/5

POMPE ALPHA 02 C V/C
Encombrement pompe avec tuyauterie.
LIQUID RING PUMP ALPHA 02
Overall dimensions.

FORMAT A3 **ALPHA 02 C** REVISION