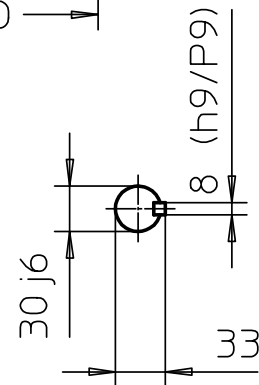
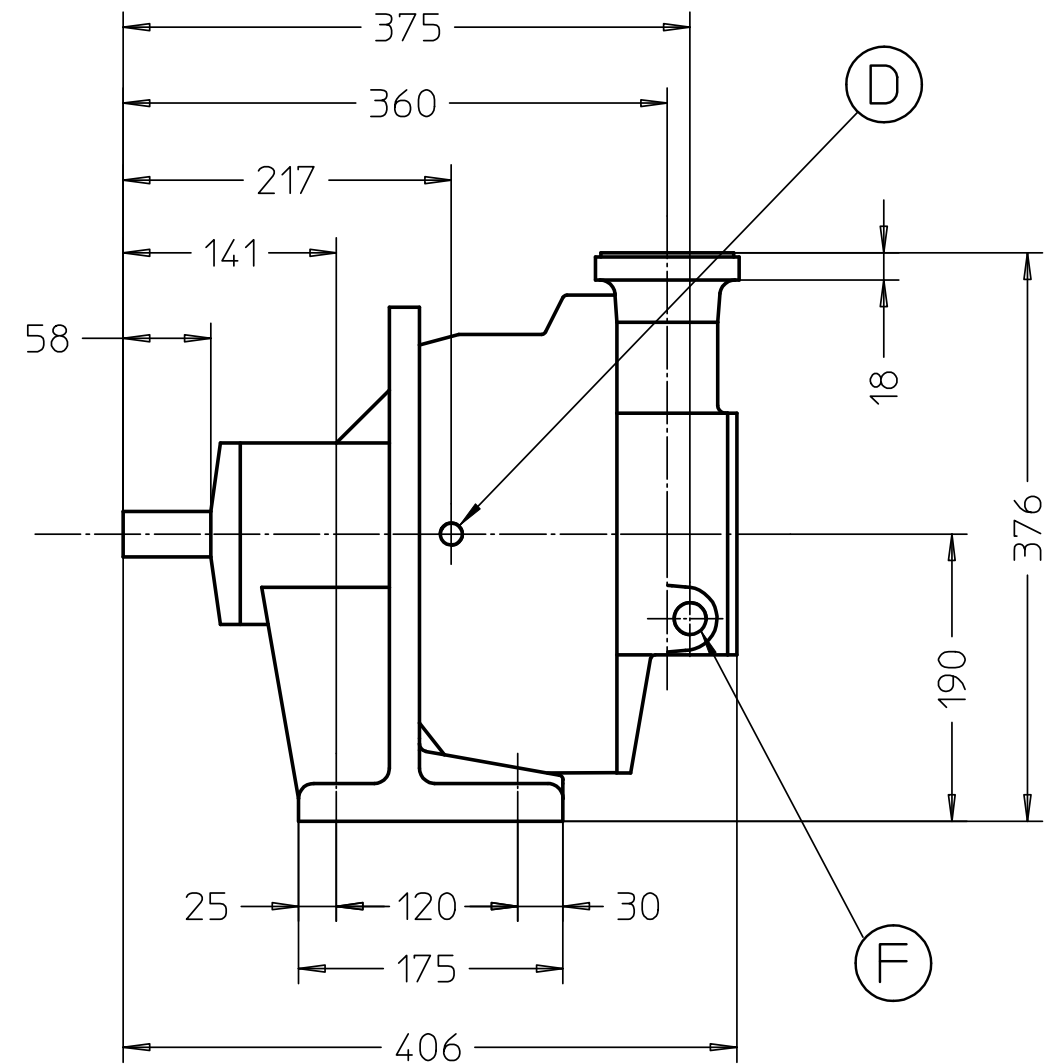


Bout d'arbre
Shaft end



Poids/weight : 58 Kg



G	:	.
F	Trop plein Overflow	1/2" GAZ
E	Purge de la pompe Drain pump	3/8" GAZ
D	Alimentation des garnitures mécaniques Feed mechanical seal	3/8" GAZ
C	Récupération partielle (Anneau liquide) Feed water recovery (Liquid ring)	3/8" GAZ
B	Refoulement gaz Discharge gas	DN40 PN10 (OVALE)
A	Aspiration gaz Suction gas	DN40 PN10 (OVALE)
	Désignation	Raccordement/Connecting

../..	C
../..	B
../..	A
28/08		BOUZIN.D	.	1ERE EMISSION - FIRST ISSUE	D.DHOLLANDE	.
SEM/WEEK	REV	ETABLI PAR/DRAWN BY	FDM	MODIFICATIONS	VER	APP



Ech./Scale : 1/5

FORMAT
A3

ALPHA 02 N

REVISION

POMPE ALPHA 02

Encombrement pompe nue.

LIQUID RING PUMP ALPHA 02

Overall dimensions.