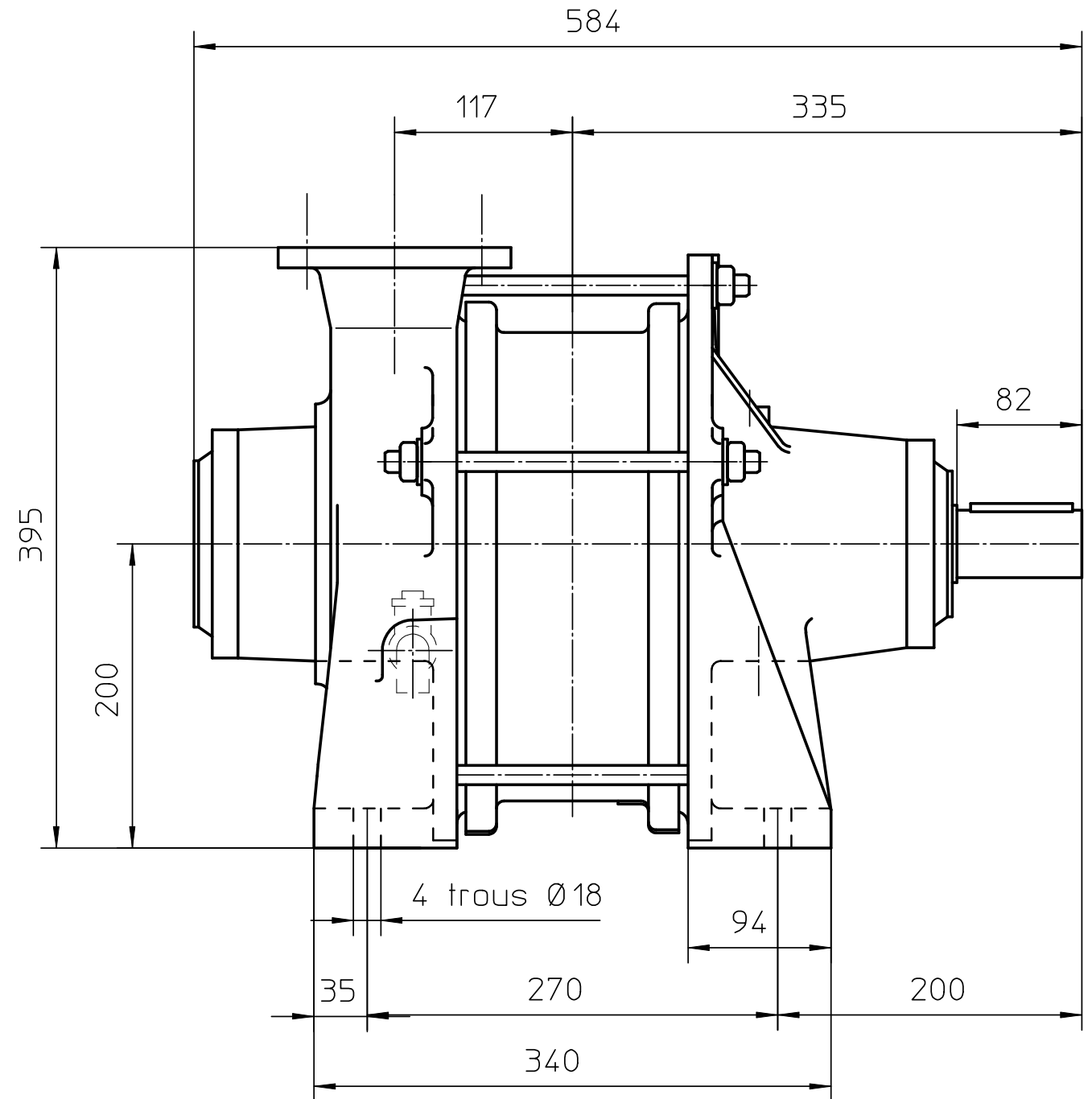


**POIDS 120 KGS**



|          |     |                     |     |                             |             |     |
|----------|-----|---------------------|-----|-----------------------------|-------------|-----|
| .. / ..  | C   | .                   | .   | .                           | .           | .   |
| .. / ..  | B   | .                   | .   | .                           | .           | .   |
| .. / ..  | A   | .                   | .   | .                           | .           | .   |
| 42/04    |     | OURSIN *            | .   | 1ERE EMISSION - FIRST ISSUE | D.DHOLLANDE | .   |
| SEM/WEEK | REV | ETABLI PAR/DRAWN BY | FDM | MODIFICATIONS               | VER         | APP |



**POMPE ALPHA 04**  
Encombrement pompe nue.

Ech./Scale : 1/4

FORMAT  
A3

**ALPHA 04 N**

REVISION