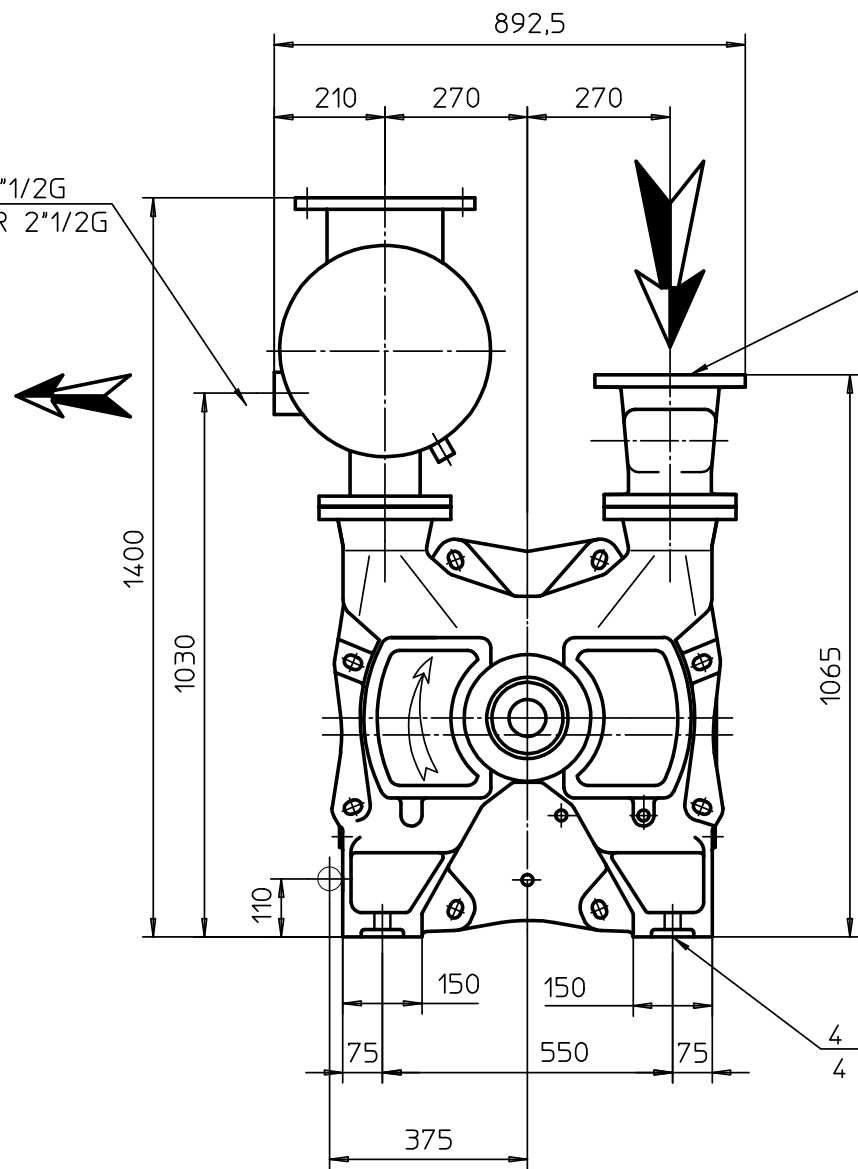


# ALPHA 40



SORTIE EAU 2"1/2G  
OUTLET WATER 2"1/2G

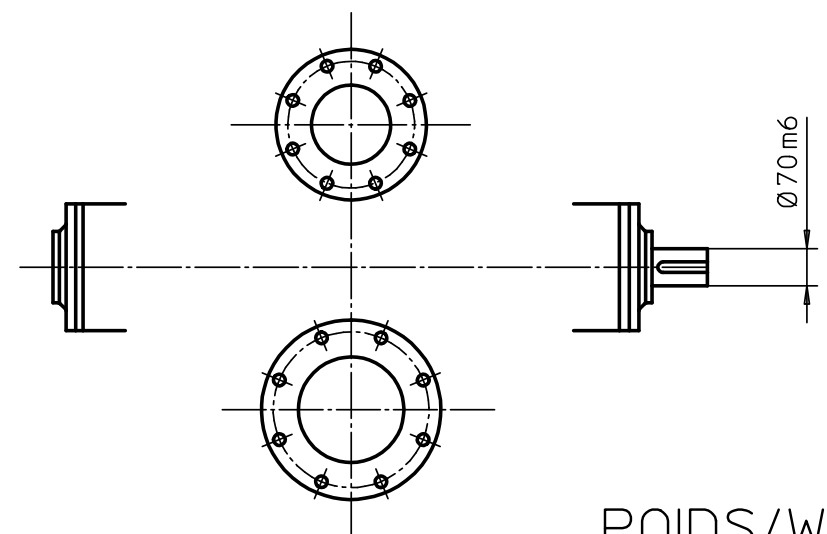
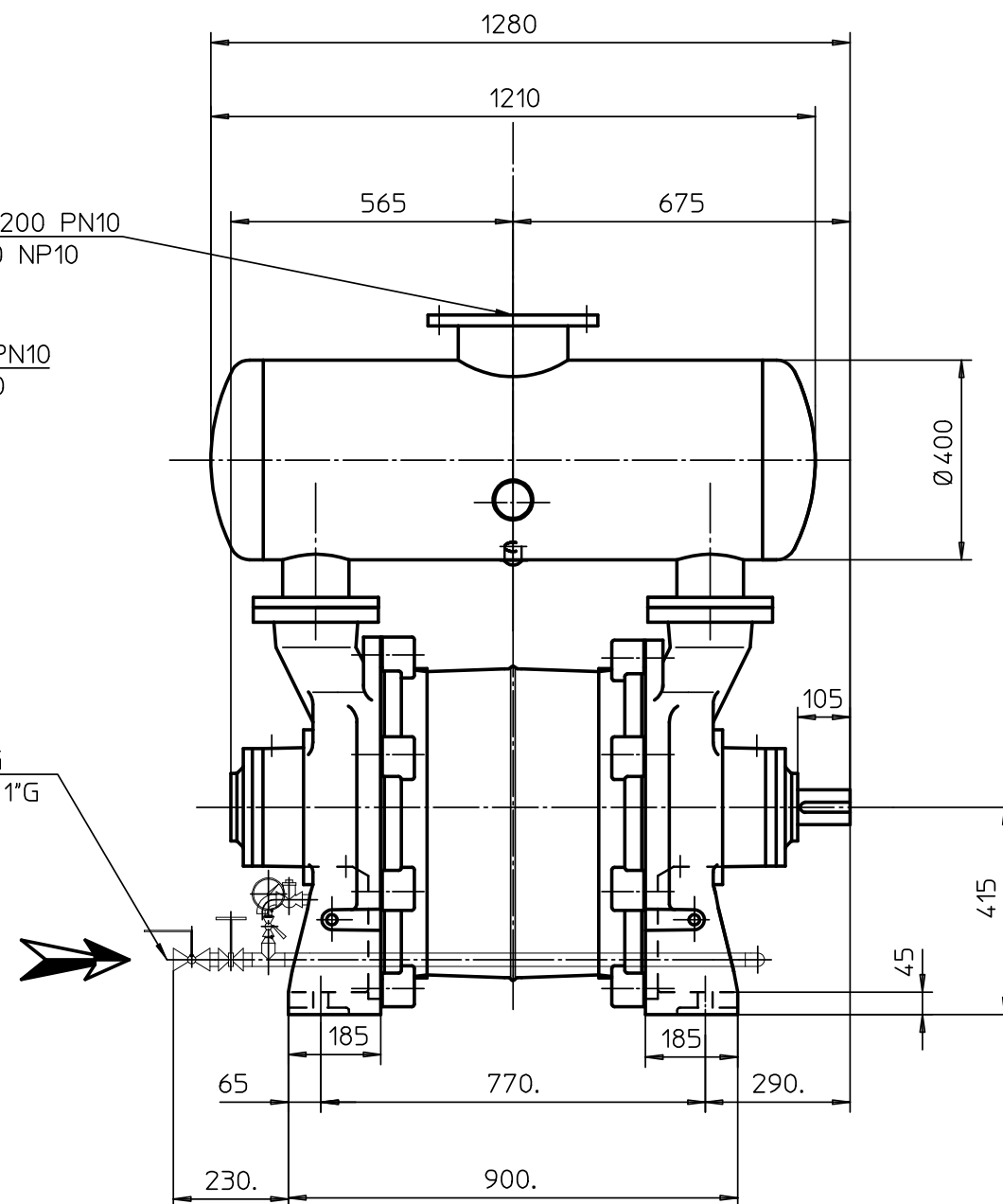


REFOULEMENT DN200 PN10  
DISCHARGE ND200 NP10

ASPIRATION DN150 PN10  
SUCTION ND150 NP10

ENTREE EAU 1"G  
FEEDING WATER 1"G

4 TROUS Ø30  
4 HOLES DIA30



POIDS/WEIGHT : 1030 kgs

