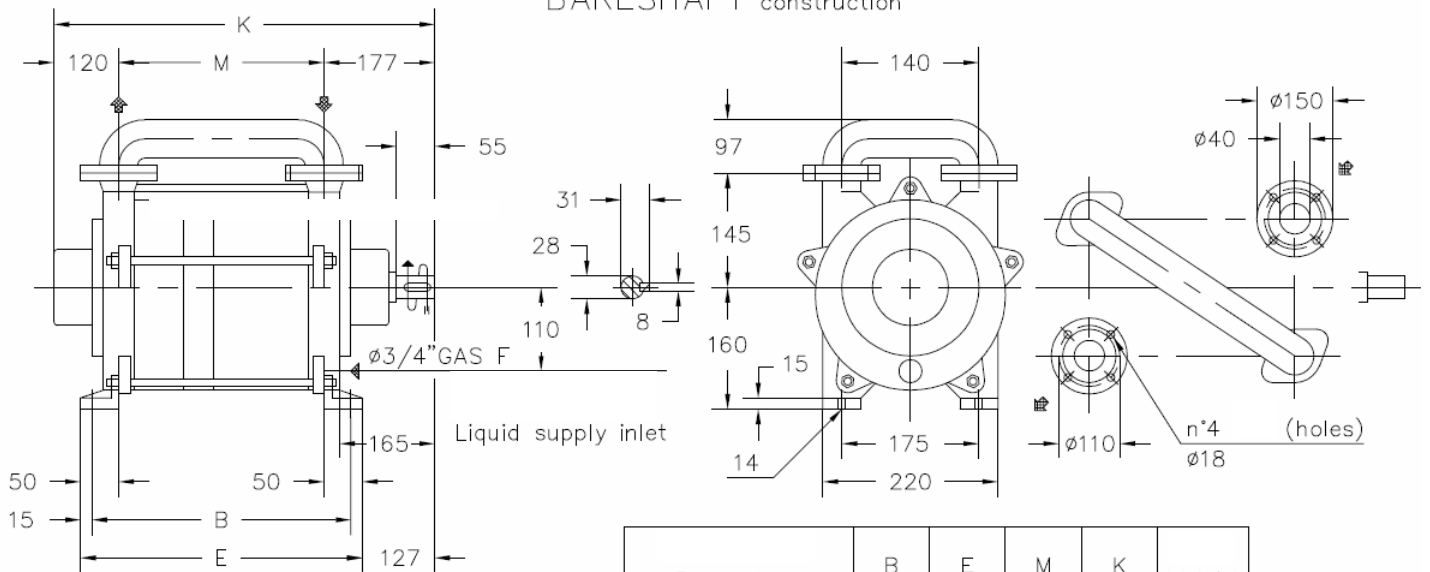


DELTA B30 / B35

BARESHAFT construction



Pump type	B	E	M	K	Weight
DELTA B30	324	354	254	551	67
DELTA B35	394	424	324	621	75