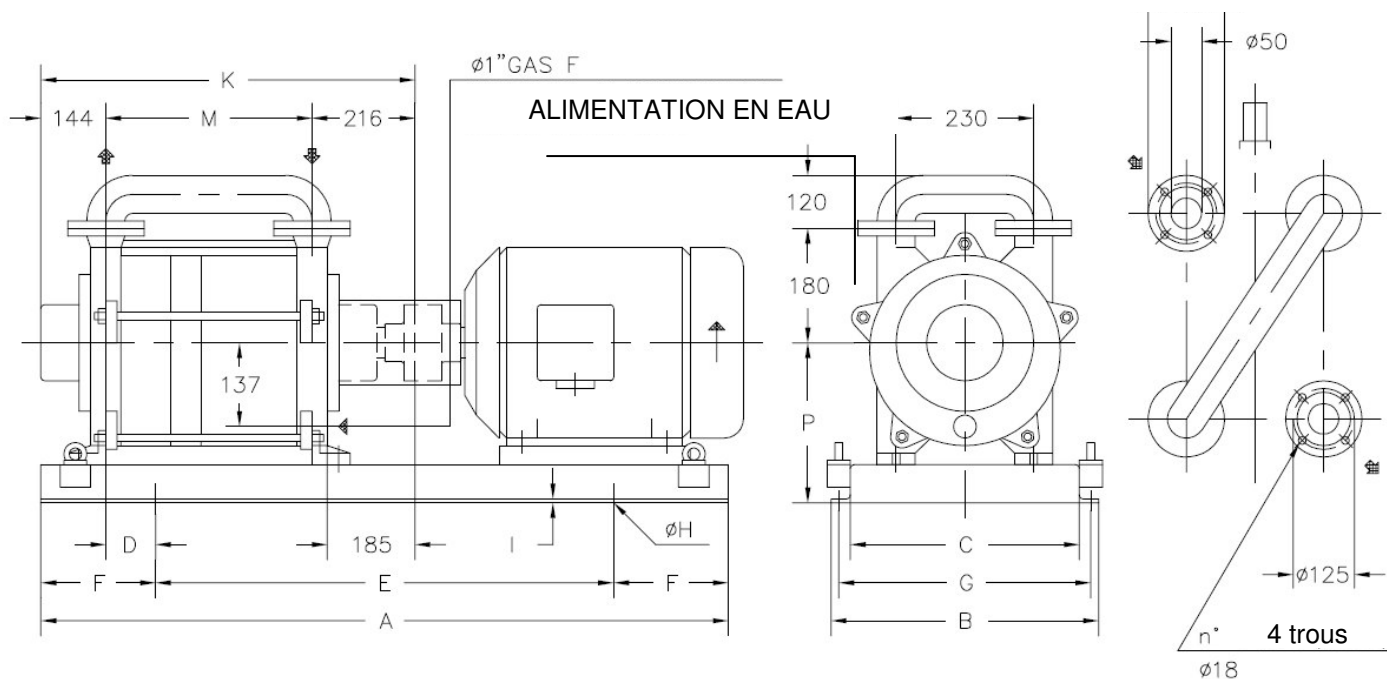


## DELTA B40 / B45 / B50



Brides selon UNI 2223 – 2229 – PN10

(\*) Poids sans moteur

| Type de pompe | Moteur |      | Socle | Pompe |     |     |     |     |     |     |    |   |     |     | Poids (*) |     |
|---------------|--------|------|-------|-------|-----|-----|-----|-----|-----|-----|----|---|-----|-----|-----------|-----|
|               | Type   | KW   |       | A     | B   | C   | D   | E   | F   | G   | H  | I | K   | M   |           | P   |
| Delta B40     | 132 MB | 9    | 903   | 1170  | 410 | 350 | 70  | 770 | 200 | 380 | 14 | 6 | 679 | 319 | 290       | 195 |
|               | 160 M  | 11   |       |       |     |     | 130 |     |     |     |    |   |     |     |           | 192 |
|               | 160 L  | 15   |       |       |     |     | 130 |     |     |     |    |   |     |     |           | 195 |
| Delta B45     | 160 M  | 11   | 906   | 1400  | 560 | 420 | 50  | 950 | 225 | 510 | 18 | 7 | 739 | 379 | 300       | 212 |
|               | 160 L  | 15   |       |       |     |     | 950 |     |     |     |    |   |     |     | 215       |     |
|               | 180 M  | 18,5 |       |       |     |     | 041 |     |     |     |    |   |     |     | 1350      | 560 |
| Delta B50     | 160 M  | 11   | 906   | 1400  | 410 | 350 | 100 | 950 | 225 | 380 | 14 | 6 | 779 | 419 | 300       | 217 |
|               | 160 L  | 15   |       |       |     |     | 950 |     |     |     |    |   |     |     | 220       |     |
|               | 180 M  | 18,5 | 041   | 1350  | 560 | 420 | 140 | 900 | 225 | 510 | 18 | 7 | 779 | 419 | 330       | 241 |
|               | 180 L  | 22   |       |       |     |     | 900 |     |     |     |    |   |     |     | 241       |     |