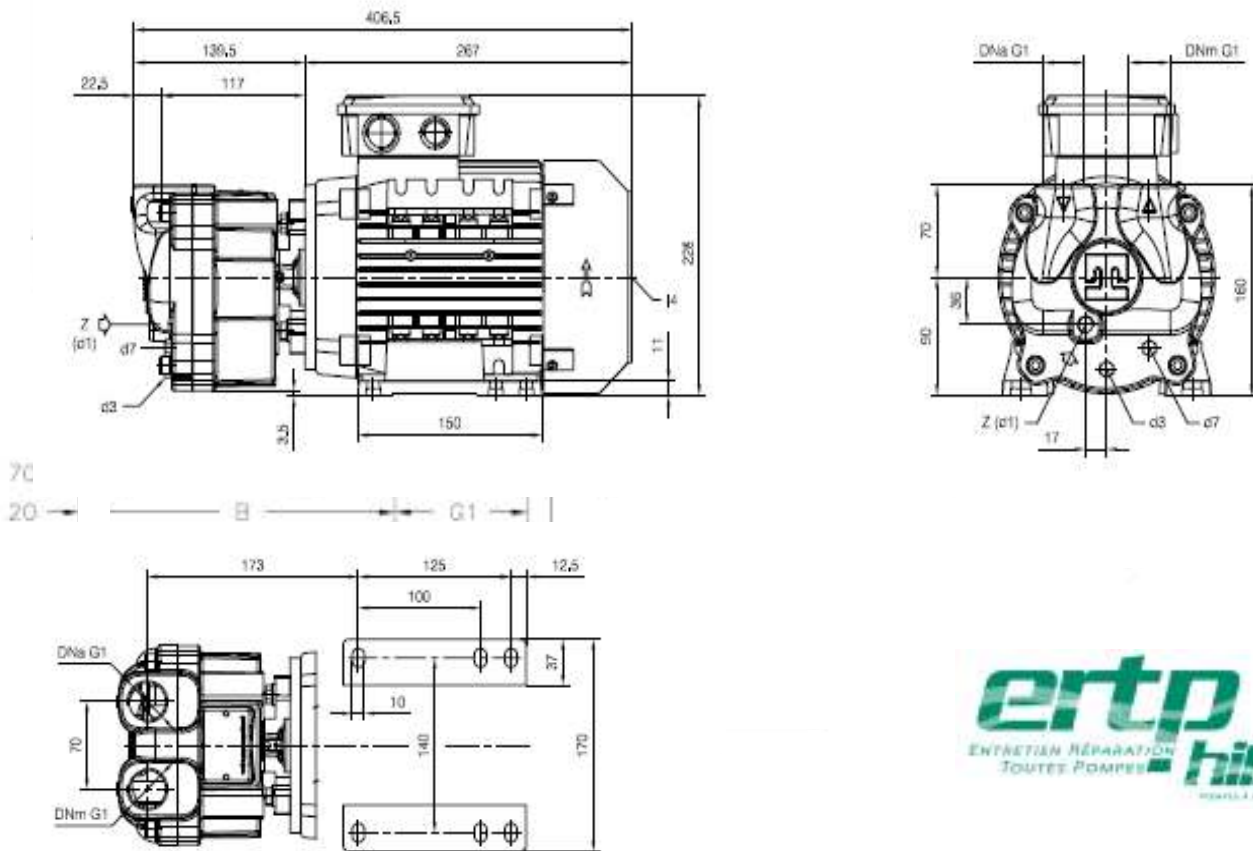


## PUMP DELTA E15M CLOSE-COUPLED CONSTRUCTION



Note :

Lt : Water quantity at shaft axis in liters

Mi : Max Moment of Inertia at start-up

d1 : G ¼ threaded connection – for liquid supply inlet

d3 : G 1/8 plugged connection – for anticavitation valve

i4 : Threaded hole for motor shaft rotation checking

PUMP Type	Motor 2 poles IP55 – 2900 RPM		Weight (*)	Mi kg.m <sup>2</sup>	Lt
	Type	XW			
DELTA E15M	90 S-L	1.5	25	0.006	0.4
		2.2			

Schematic drawing. Dimensions in mm with tolerances according to EN 735-1995 standards.  
Weights in Kgs, referred to pumps in cast iron, not binding.